

Oceana Wall Sconce Installation and Assembly

WARNING: Disconnect power before servicing.

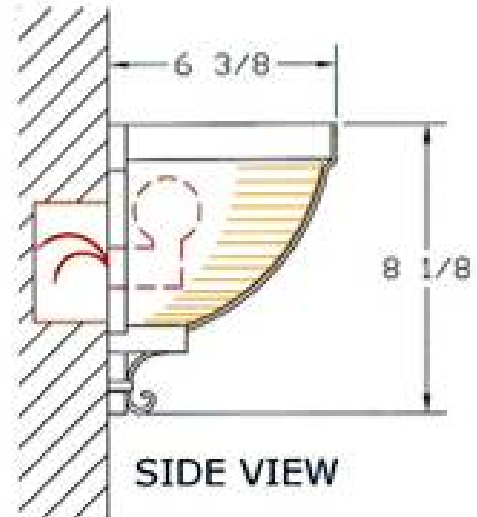
WARNING: Verify the existing input voltage.

Mount a junction box (not supplied) to wall (recessed).

Place thin metal gasket over junction box opening.
Secure mounting plate (supplied) to junction box using
junction box screws.

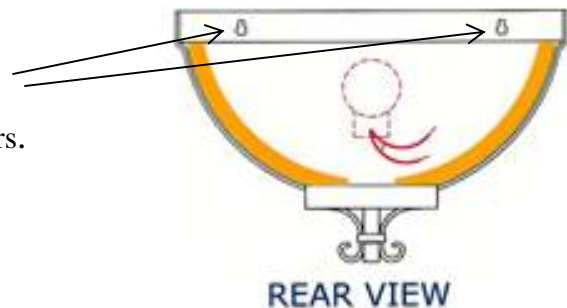
**Warning: Do not rely on junction box screws
alone to secure mounting plate to wall.**

Pull proper wires through all-thread piece and wire cover
to connect to light bulb base. Wire per local code and
National Electrical Code. Hand tighten the screws for
each wire. Do not over-tighten.



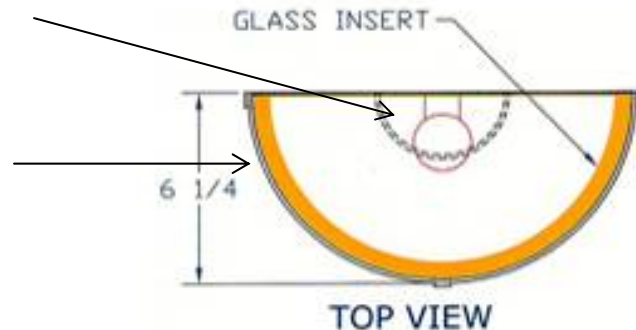
Oceana recommends a certified electrician for all sconce wiring.

Place the wall sconce against the wall over top
of the junction box and attachments. Secure
wall sconce to wall with suitable fasteners and anchors.



Screw in either 1 - 60 watt bulb for vertical position
or 2 - 40 watt bulbs for horizontal position of white
bulb attachment. (Vertical position shown).

Carefully place Oceana glass piece between the
light bulb(s) and the wall sconce metal.



Oceana Wall Sconce Specs

