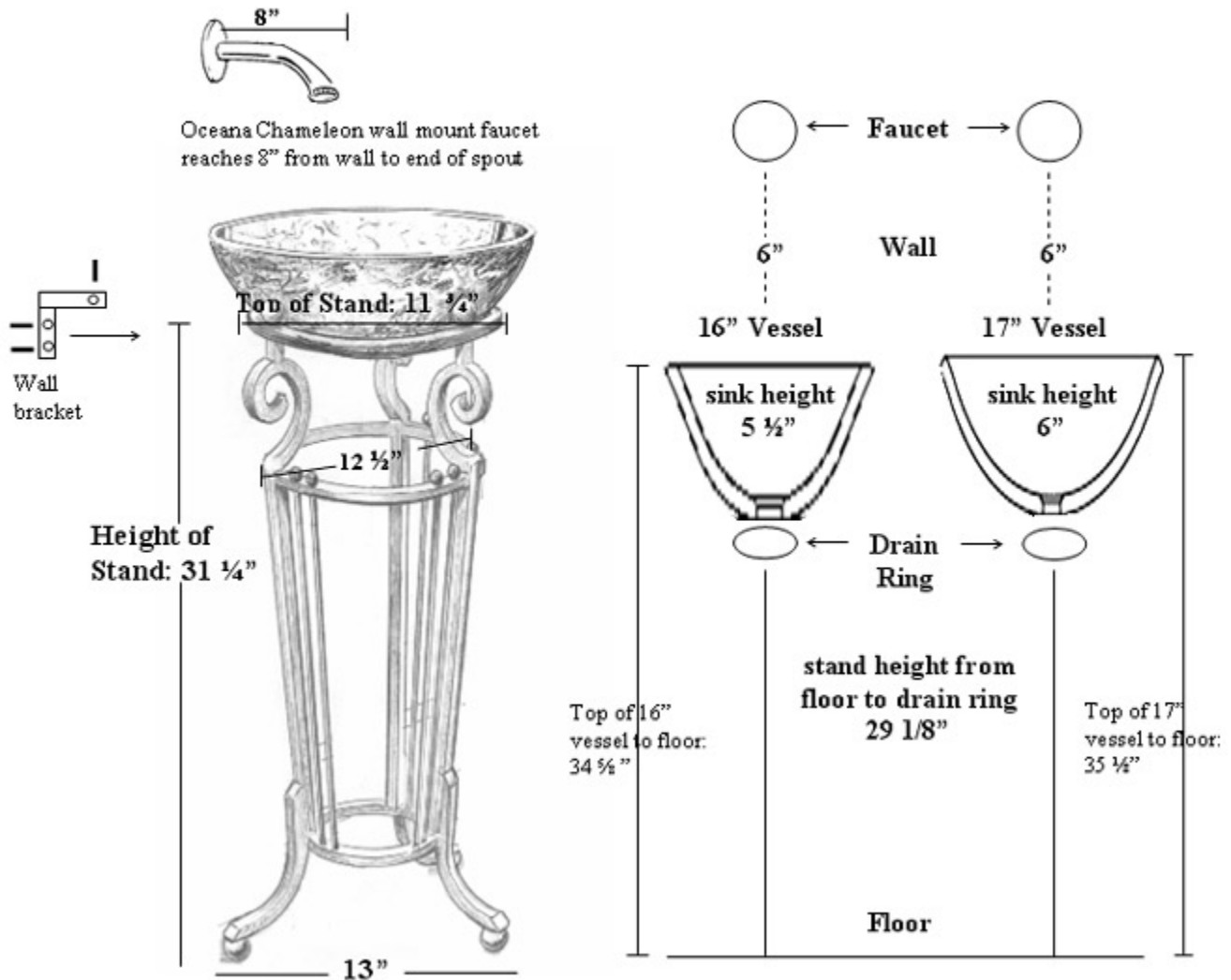




## Regency Pedestal Specifications



- Attach matching L bracket to pedestal and then to wall with screws provided
- Place 16" or 17" Oceana vessel on top of plastic grips
- Apply plumber's putty under drain flange and press gently into sink
- Place rubber washer over drain between glass vessel and stand (on drain ring)
- Tighten drain under pedestal
- Install Wall mount faucet into wall 6" from top rim of sink to bottom part of faucet
- All measurements based on Oceana faucet, sink, and pedestal.
- Oceana does not recommend installation without stand and sink in place.
- All sink measurements are approximate. Oceana sinks are made using free flow hand process. Tolerance of vessel + / - 1/2"